

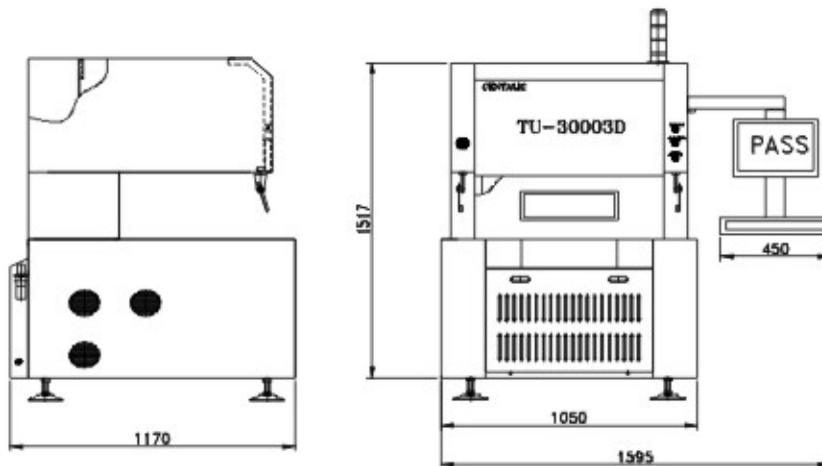


CENTALIC
TECHNOLOGY DEVELOPMENT LTD.



TU30003D

High Voltage Universal PCB Test System



Brand: CENTALIC

Model No.: TU30003D

Specifications:

Test Unit

Testing Point Density	Double Density Grid 70mil
Testing Points	81920 pts (standard)
Fixture height	91.5mm (each side)
Max. Test Area	12.8" x 16"

Others

Automatic 90-degrees direction change of upper fixture interface, very convenient to change different fixtures and easy for maintenance.

Test Electronics

Module	Standard electronics modules with 256 test channels, 256 test points per module, convertible
--------	----------------------------------------------------------------------------------------------

Fixture

Compatible Rigid Pin Length	95mm
Grid Format	Centalic UTT format

Test Parameters

Test Current	20mA (MAX) \pm 10%
Test Voltage	50V - 300V \pm 10%
Continuity Test	20 Ω - 100 Ω \pm 10%
Isolation Test	2M Ω + 40M Ω \pm 10%
Test Speed	Min 2048 pts / sec

Testing Boards

Maximum Thickness	up to 4.0mm (0.16")
Minimum Thickness	0.01mm
Maximum Size	12.8" x 16"
Minimum Size	2.5" x 3"
Weight	no limit

Data format

Input	Gerber format or IPC-D-356/A
Output	Centalic UTT format

Network

Network	Ethernet, TCP/IP
---------	------------------

Operation

Operation System (OS)	Windows NT TM
Software	English

Environmental Conditions

Temperature	22 $^{\circ}$ C - 25 $^{\circ}$ C
Relative humidity	Below 50% - 70% (No condensation)

Power	3 x 380V, AC50Hz, 13A
-------	-----------------------

Air Supply	0.6Mpa - 0.8 Mpa
------------	------------------

Dimension	1595mm x 1170mm x 1517mm
-----------	--------------------------

Weight	1500kg
--------	--------

Accessories

#1	Printer
----	---------

Remarks:

- All specifications are subject to change without notice.
- Involved drawings are not to scale, for reference only.



地址: 香港九龍官塘巧明街99號巧明工廠大廈五樓
Address: 4/F., How Ming Factory Bldg., 99 How Ming St., Kwun Tong, Kowloon, Hong Kong.
Tel: (852)2342 4207(10 Lines) Fax: (852)2797 8449
E-mail: info@centalic.com.hk Website: http://www.centalic.com

Dongguan Centalic Electronic Testing Parts Co.,Ltd

Address: Fenghua Road East, Fushan Industrial Area, Liaobu, Dongguan, Guang Dong Province, China
Tel: 86-(769)8321 1848 8326 3500 Fax: 86-(769)8321 4030 Post Code: 523401

Shanghai Office:

Address: Room A, 6/F., Block B, Wei Duo Li Square, 1068 Xikang Road, Putuo, Shanghai, China
Tel: 86-(21)6266 5060 3227 0883 Fax: 86-(21)6266 5060 Post Code: 200060

Shenzhen Office:

Address: Room A01-02, B10-11, PO Box 318, Jueshi Building, 4018 Jiabin Road, Luowu, Shenzhen, China
Tel: 86-(755)2590 0928 2590 0966 Fax: 86-(755)2590 0933 Post Code: 518001

Suzhou Office:

Address: Room 2408-2410, Jingmao Building, 6 Xiwan Road, Suzhou City, Jiangsu, China
Tel: 86-(0512)6863 2805 6863 2806 Fax: 86-(0512)6863 2802 Post Code: 215007